

K

.

D

.



SPACE
which
is



CUSTOMIST COMFORTS ABLE LIFE





Turn it into
your:

office


guest house

tiny house

yoga studio

art studio

workshop



LIGHT
UP
YOUR
IMAGIN
ATION



You can build
it almost
anywhere.
Even in your
backyard!

You only need
two people.

CUSTOMISABILITY

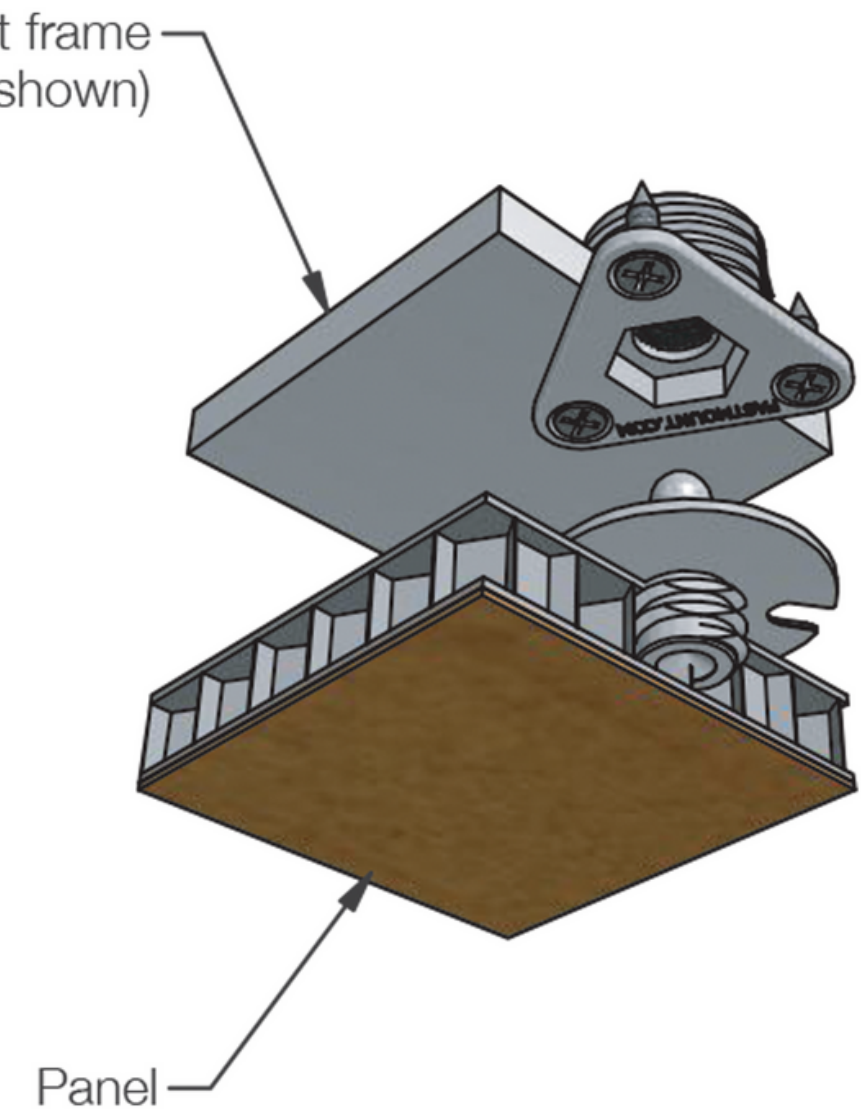
FAST AND EASY

PANEL MOUNT.

As the name implies Fastmount® Panel System allows for easy installing and re-installing of Panels, in this case our beautiful TinySpace K.D. can be striped and dressed in a numerous variety of materials and colors, all weather-proof and friendly with nature.

Each clip provides up to 45kg. of weight bearing capacity, thus a few on each panel are required to hold it in place and secure it from ever falling over. These are metallic and are completely rust proof and weather-resistant.

Support frame
(6mm alum. shown)



Cutaway exploded view (nts)

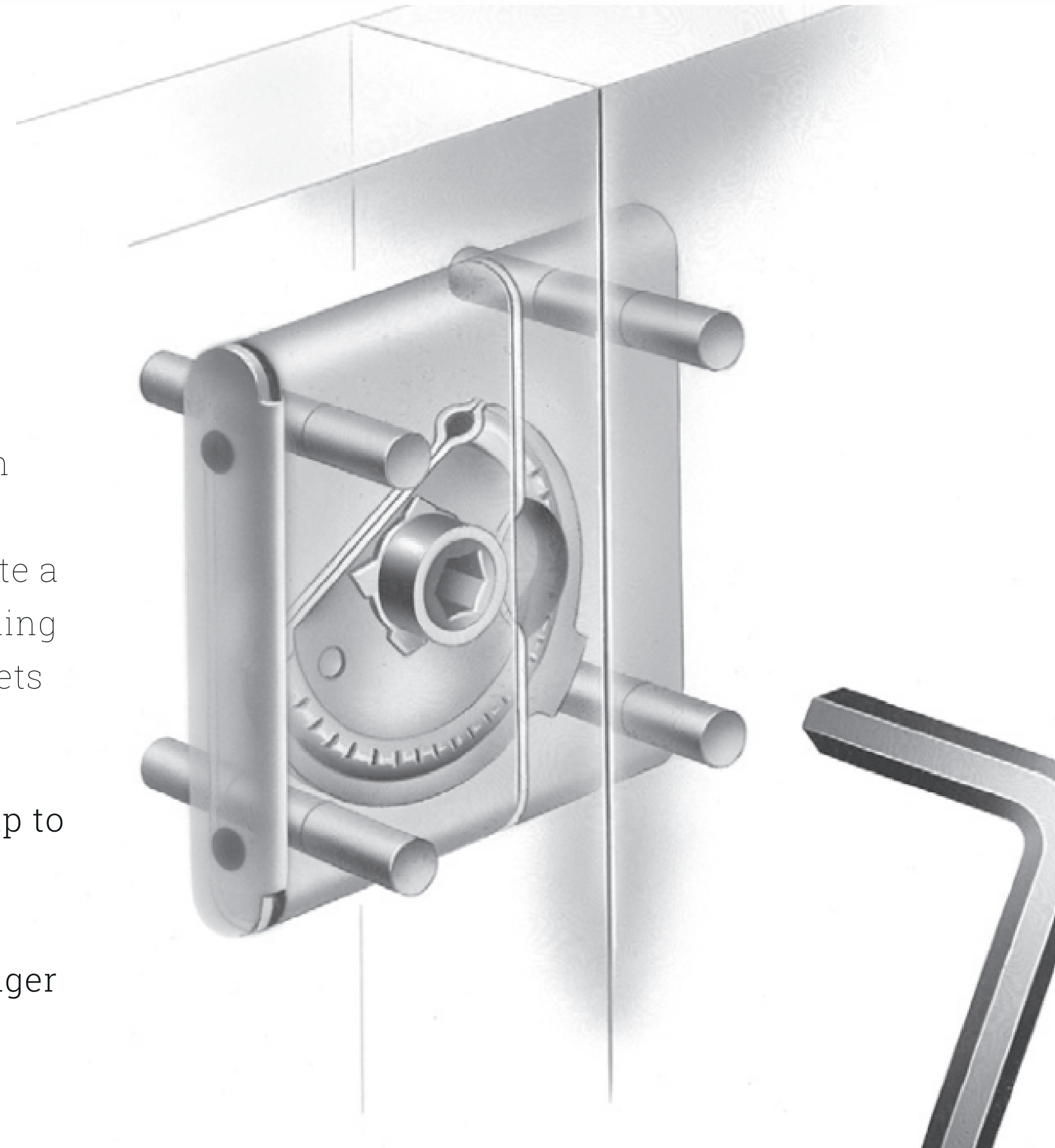
www.fastmount.com

FASTENING SYSTEM

DRAW LATCH SYSTEM

This system allows for quick locking and unlocking each individual panel and roof panel from one another. It provides a strong bond between the components to create a unified structure, with the cam shape ensuring a tightening effect on each panel's butt-joint, to seal against air pockets and temperature barriers which allow moisture to form.

The integrated system, has a shear force resistance of up to 6.9 Tonnes of force and a maximum tensile load of 1.5 Tonnes, this ensures the whole TinySpace K.D. is fit to resist in almost any conditions, and is resistant to stronger winds, yet still portable and easy to install.



COMPONENTS

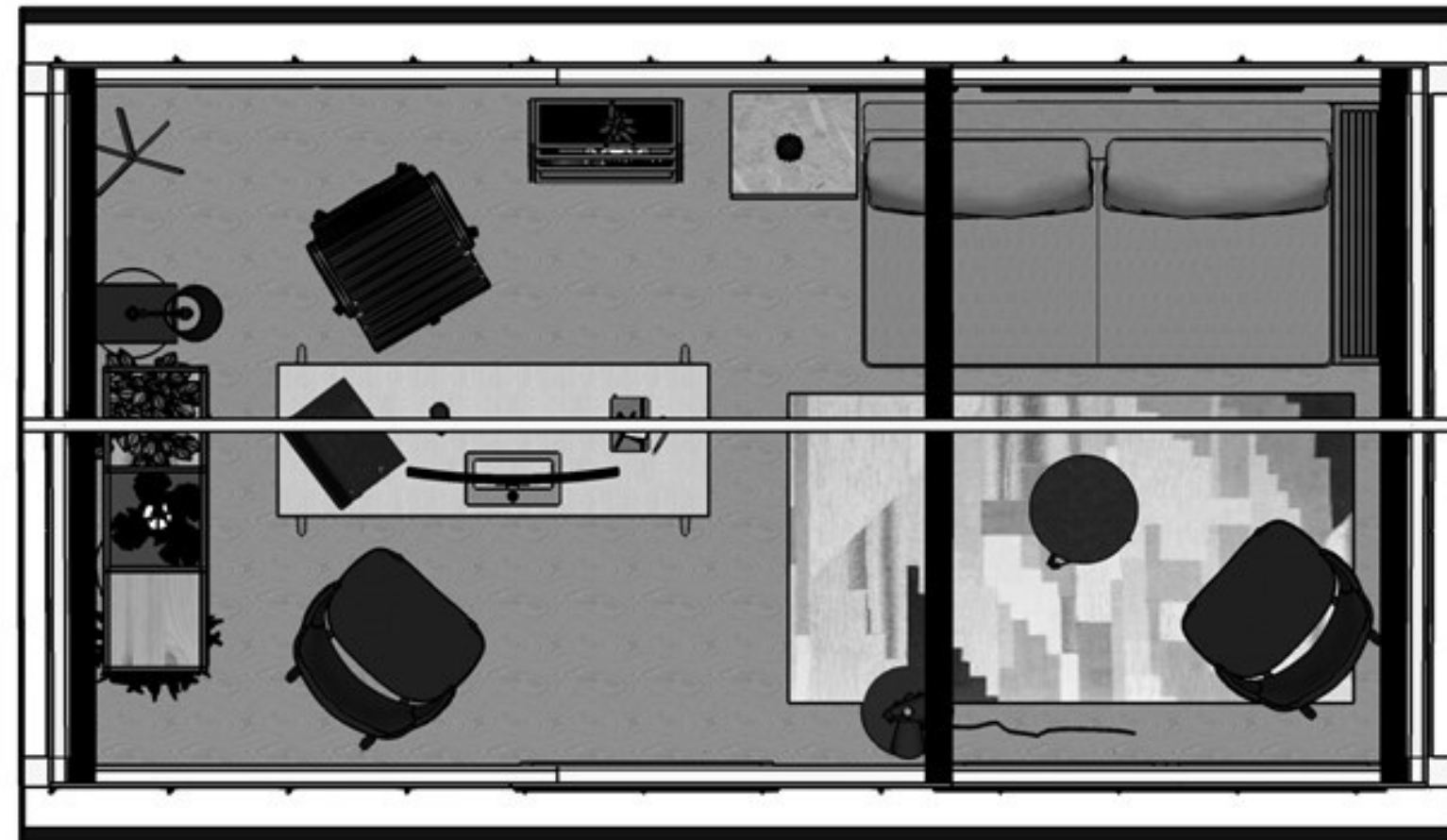
PACKAGING &

TRANSPORT

MAXIMISING USABILITY OF SPACE IN DIFFICULT ACCES
SCENARIOS WHERE CLASSIC BUILDING METHODS IS NOT AN
OPTION

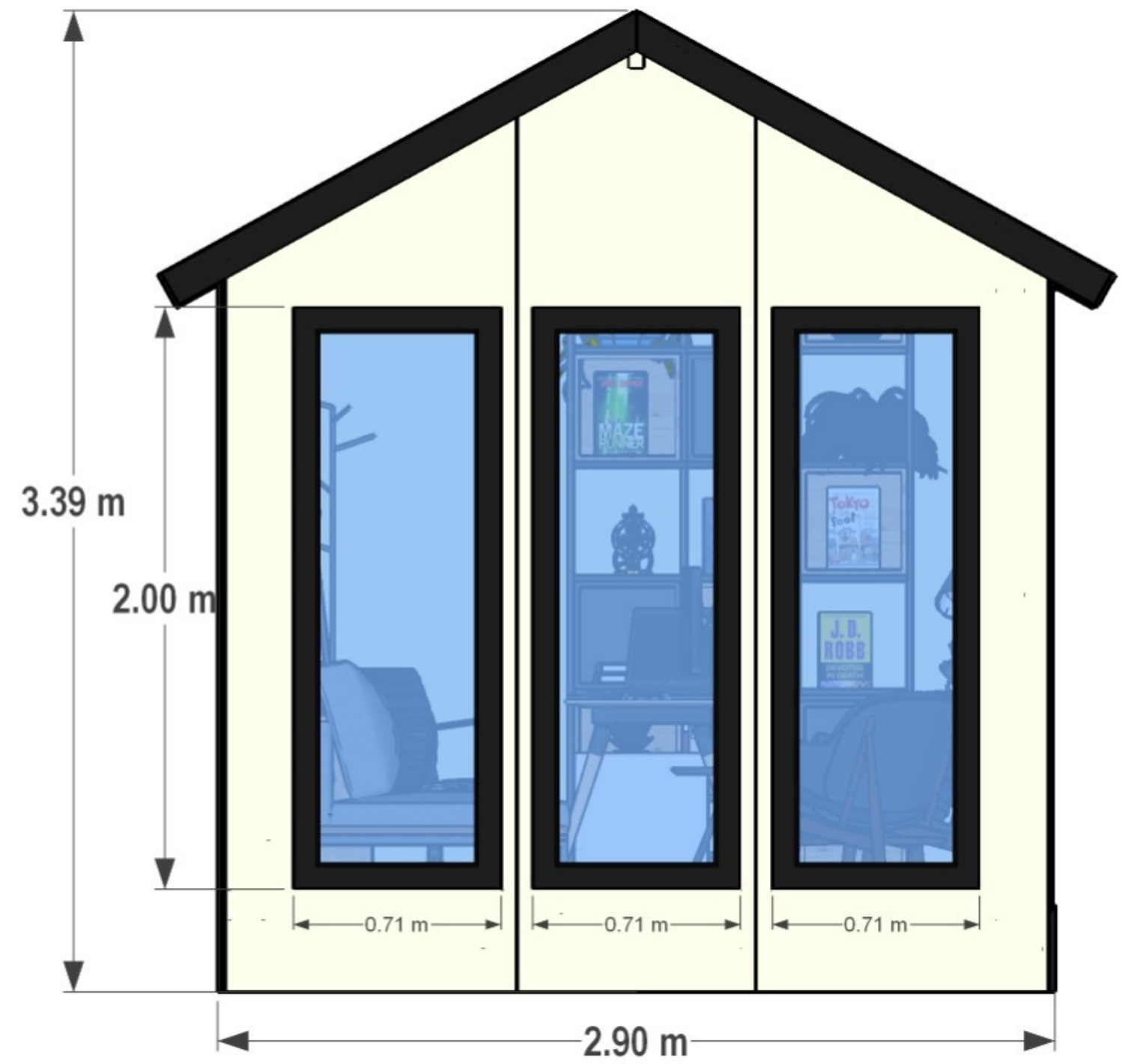
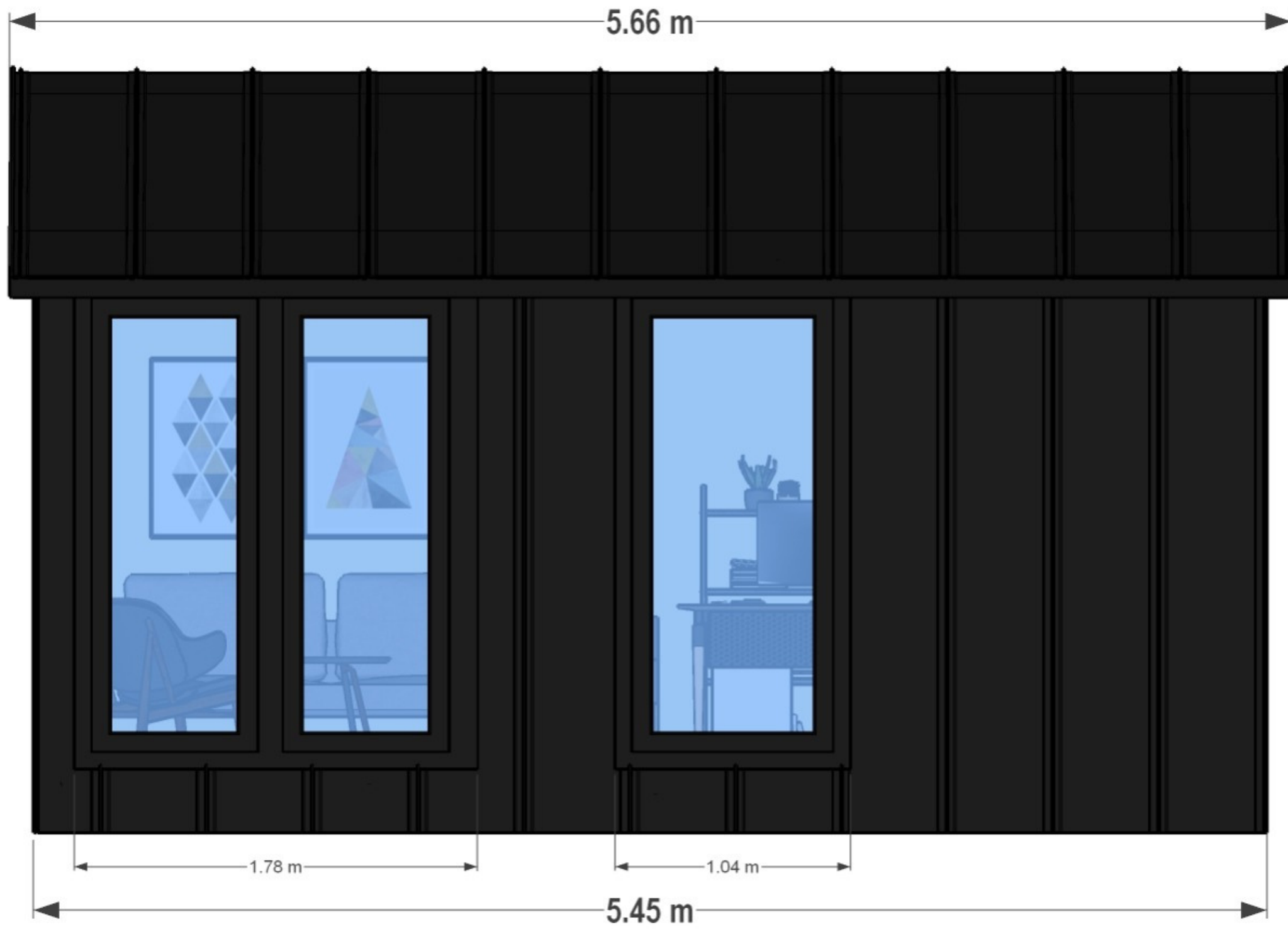
Each TinySpace K.D. component is manufactured to be similar in size to each other, this way we can optimize the consumption of raw materials aswell as transportation for you and us.

Therefore each package is roughly the same size with a few exceptions. Also because of the high concern expressed in the developing a portable solution, all of the packages have varying weights between 20 to 50 kg, so they can be carried easily by two people, while maneuvering through different scenarios such as through house passage, and small door access.



80

components



created by
ALEXANDRU
NEAGU

